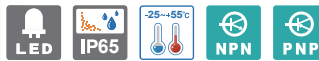


ZM-2 | SERIES Ø25mm

Tower lamp

Outside diameter 25mm, super MINI design
Exquisite appearance streamline design language
LED modules can be combined freely, and can be added or removed freely
LED modules at any level do not affect the definition of lines
Center bolts need to be replaced to add or remove LED modules

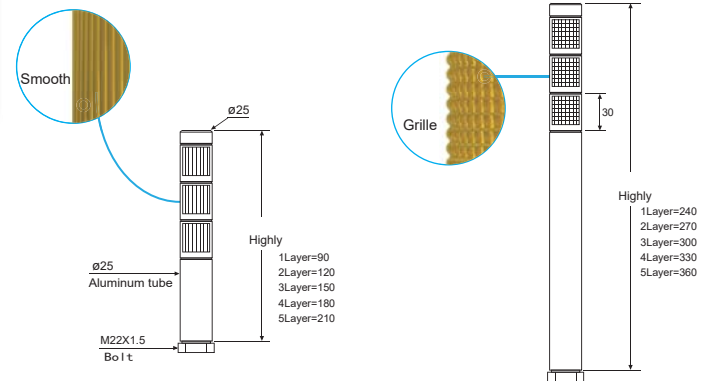


Size chart

Unit: mm

Dwarf body

Standard body

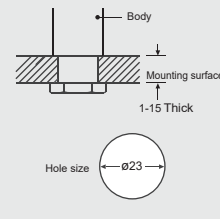


Select code

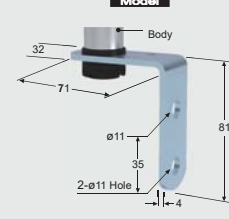


- 1 Body: None = Standard body
S = Dwarf body
- 2 Layer number: 1 = 1 Layer
2 = 2 Layer
3 = 3 Layer
4 = 4 Layer
5 = 5 Layer
- 3 Voltage: 01 = 12V/DC
02 = 24V/DC
- 4 Body color: None = Black
A = Silver
- 5 Lens: None = Smooth
M = Grille
- 6 Color: Red = R
Yellow = Y
Green = G
Blue = B
White = W
- 7 Lamp Shade Color: No letters=Color
C=Transparent color
- 8 Stent models: None = Direct mount
B = 22B

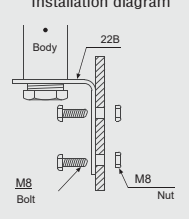
Direct mount



Stent size **22B Model**



Installation diagram



Technical Parameters

Standard	IEC/EN 61000-6		
Signal	CE		
The environment temperature	Storage	-40°C~+70°C	
	Operating	-25°C~+55°C	
Operating humidity	45 to 85%RH		
Degree of Protection	IP65 Watertight/Olight		
Light source	LED		
Rated insulation voltage	IEC60947-1	>800V	
Voltage range	IEC60947-5-1	V0.85~1.10Un	
Rated Voltage	12V/DC	24V/DC	
LED Current	All Colors	30mA	18mA
Surge current	All Colors	100mA	100mA
Electrical life	About 50,000 hours		
Cable	UL1007 AWG22 (L=800mm)		

Wiring Diagram

